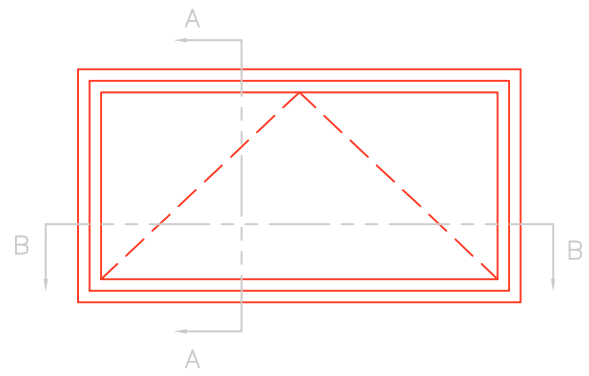
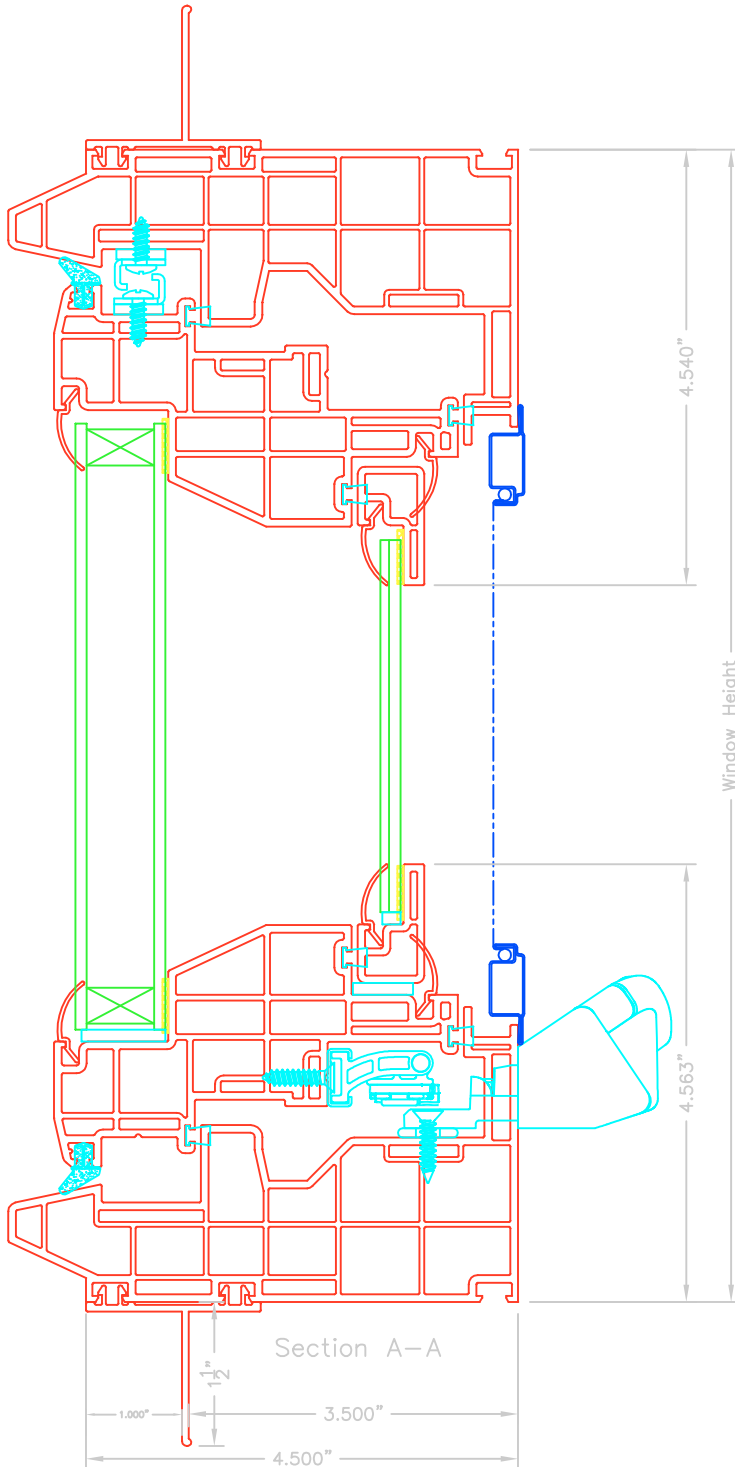


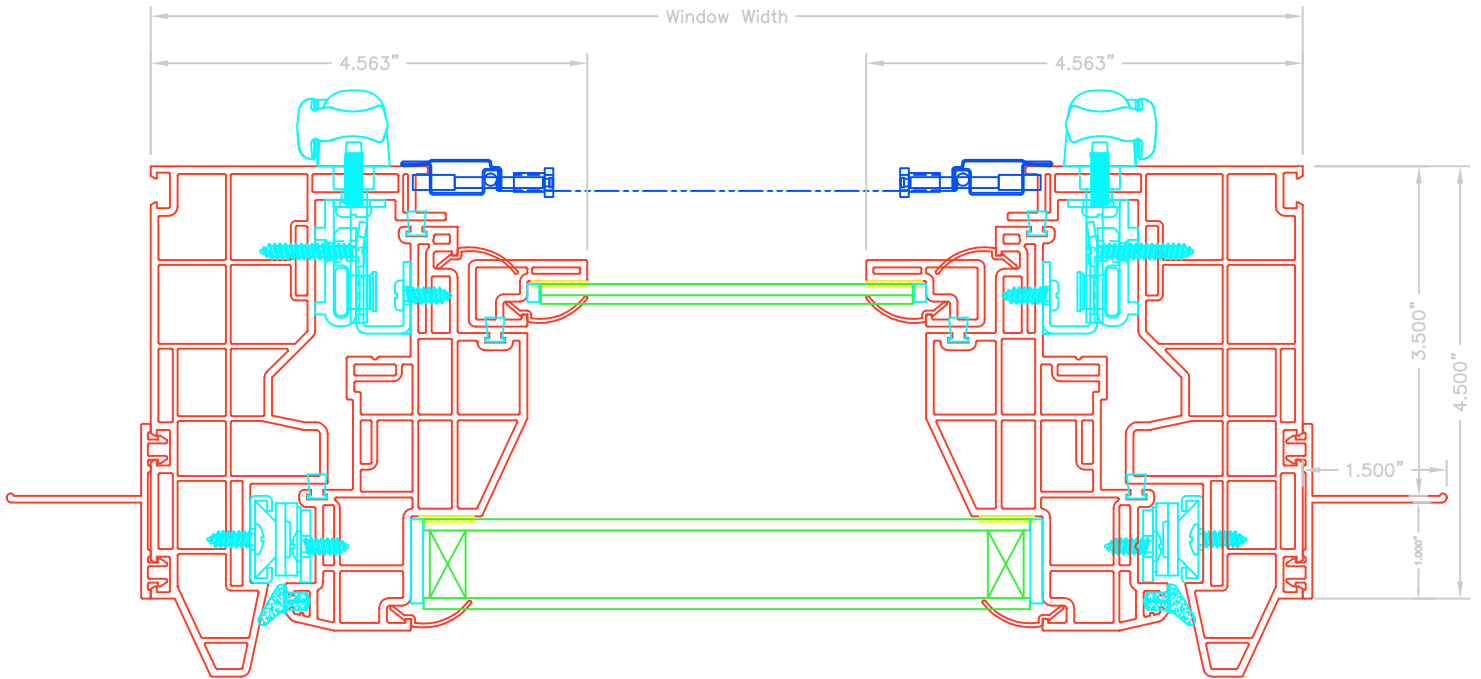
SERIES 7600 AWNING VERTICAL CROSS-SECTION FIN



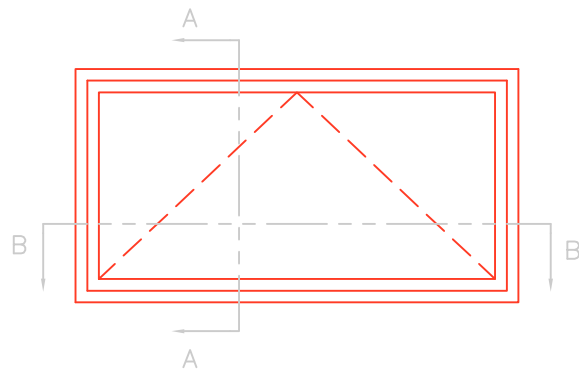
Elevation View

This drawing is proprietary and confidential and is intended for architectural design and/or specification purposes. It shall not be reproduced, copied, or disseminated for any other purpose without express written permission.

SERIES 7600 AWNING HORIZONTAL CROSS-SECTION FIN



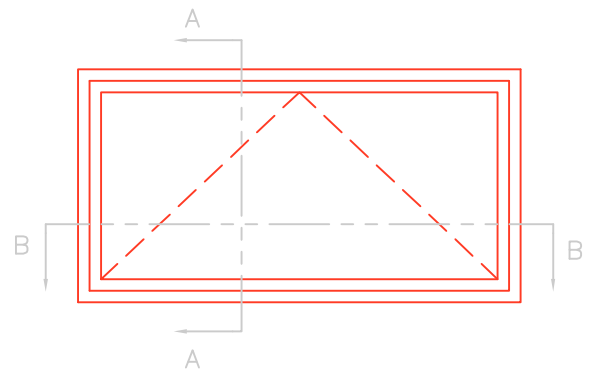
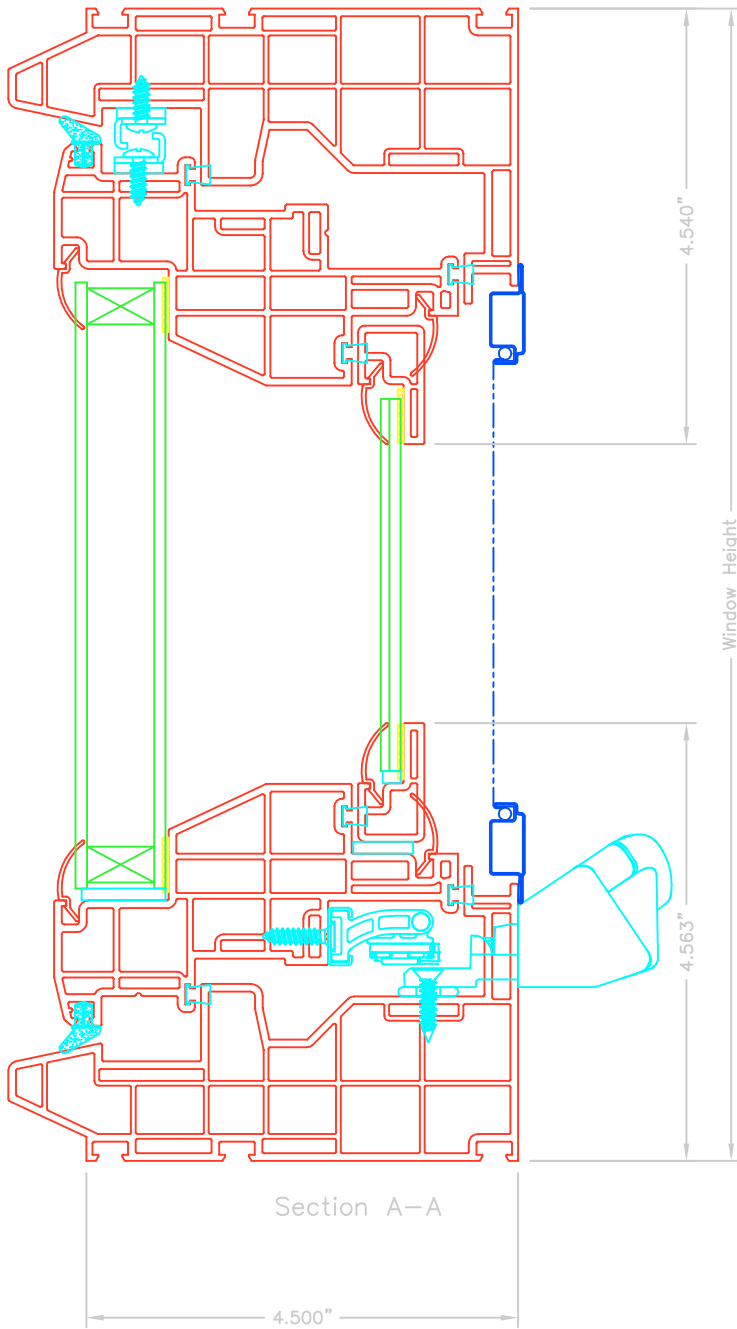
Section B-B



Elevation View

This drawing is proprietary and confidential and is intended for architectural design and/or specification purposes. It shall not be reproduced, copied, or disseminated for any other purpose without express written permission.

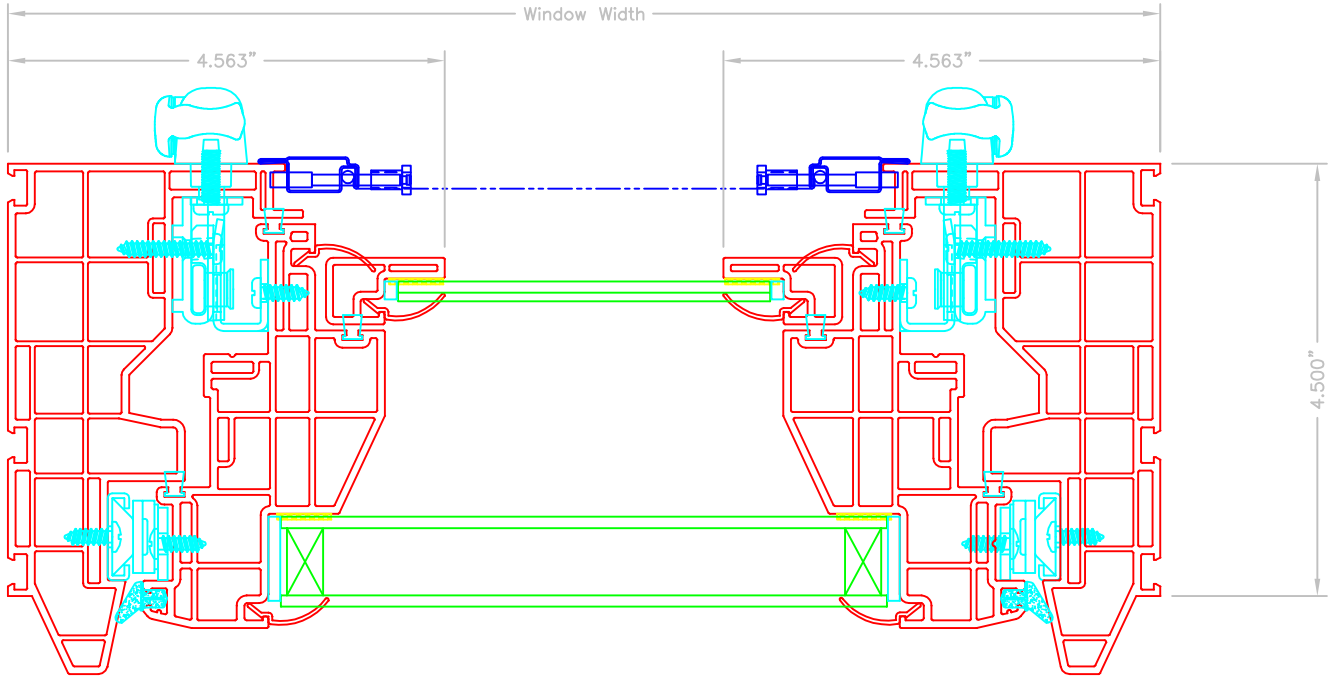
## SERIES 7600 AWNING VERTICAL CROSS-SECTION FINLESS



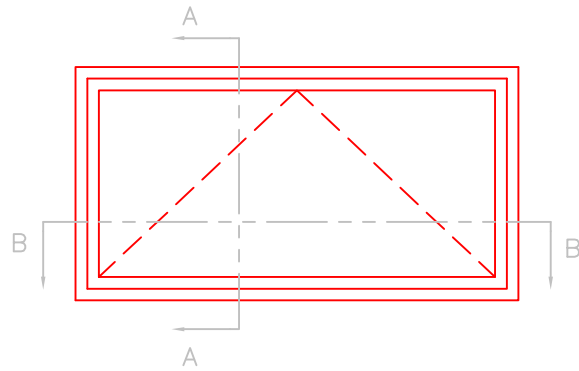
Elevation View

This drawing is proprietary and confidential and is intended for architectural design and/or specification purposes. It shall not be reproduced, copied, or disseminated for any other purpose without express written permission.

## SERIES 7600 AWNING HORIZONTAL CROSS-SECTION FINLESS



Section B-B



Elevation View

This drawing is proprietary and confidential and is intended for architectural design and/or specification purposes. It shall not be reproduced, copied, or disseminated for any other purpose without express written permission.