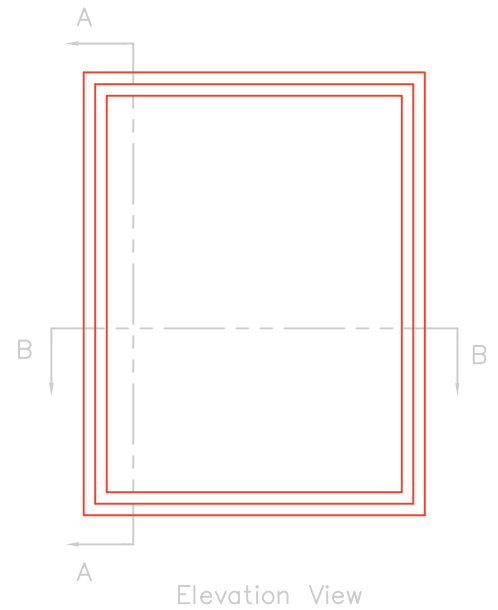
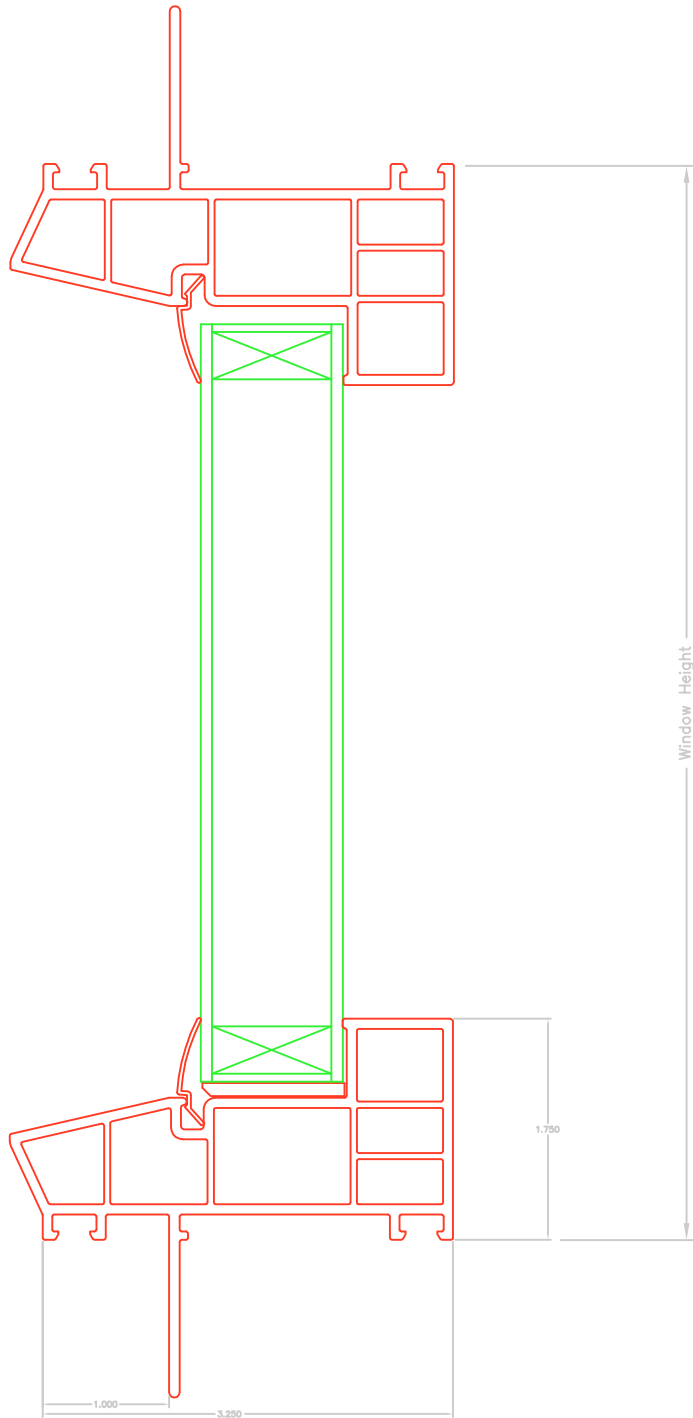
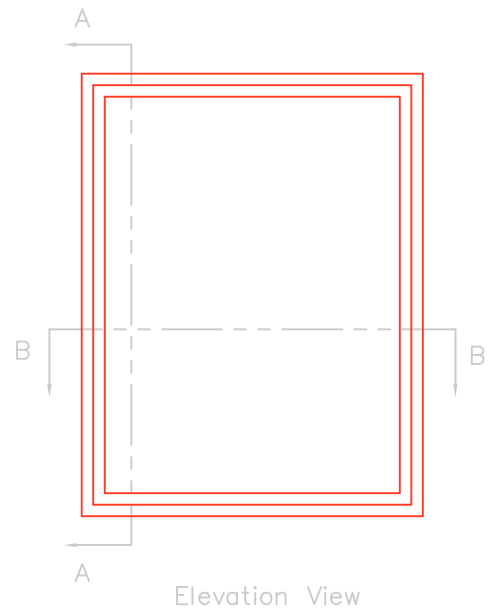
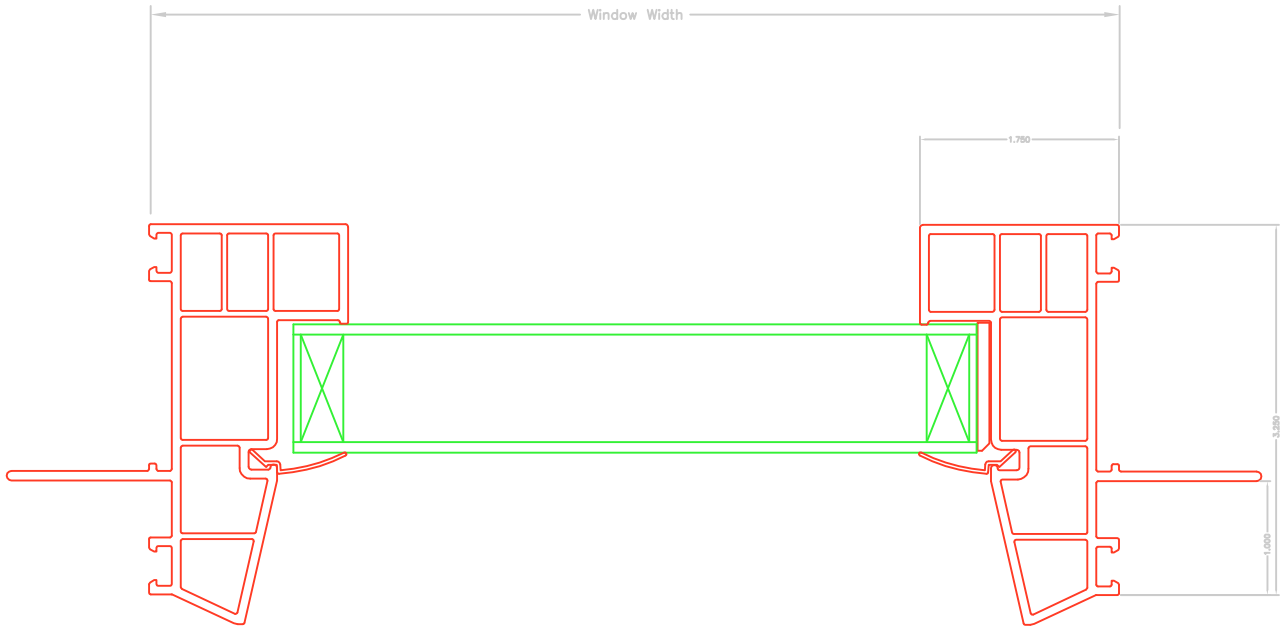


SERIES 9000 PICTURE WINDOW VERTICAL CROSS-SECTION



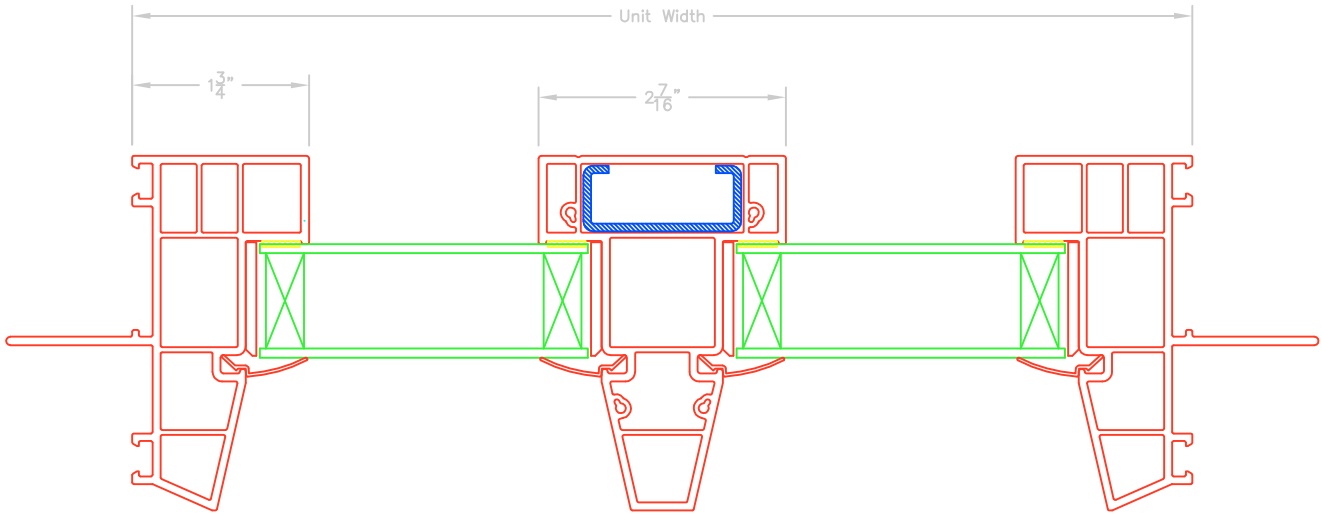
This drawing is proprietary and confidential and is intended for architectural design and/or specification purposes. It shall not be reproduced, copied, or disseminated for any other purpose without express written permission.

SERIES 9000 PICTURE WINDOW HORIZONTAL CROSS-SECTION

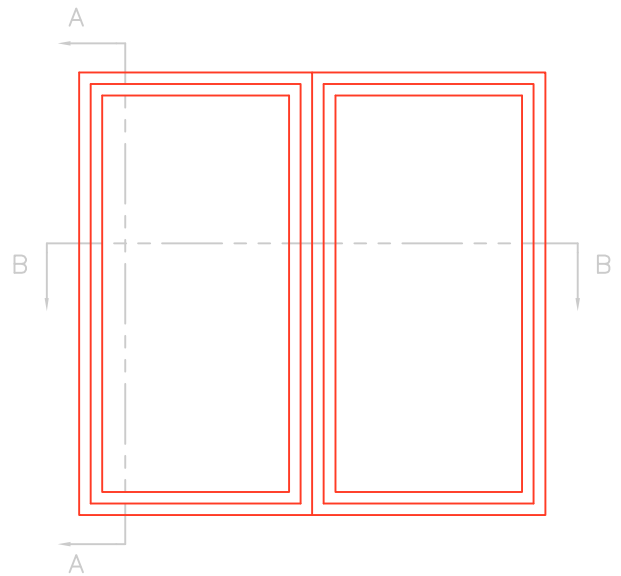


This drawing is proprietary and confidential and is intended for architectural design and/or specification purposes. It shall not be reproduced, copied, or disseminated for any other purpose without express written permission.

SERIES 9000 CH&S PICTURE WINDOW HORIZONTAL CROSS-SECTION



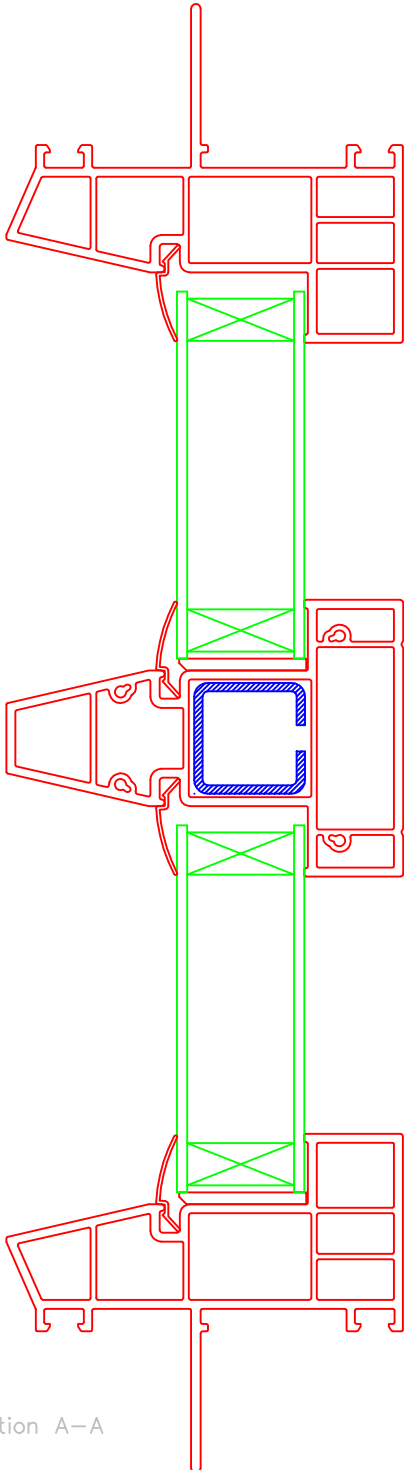
Section B-B



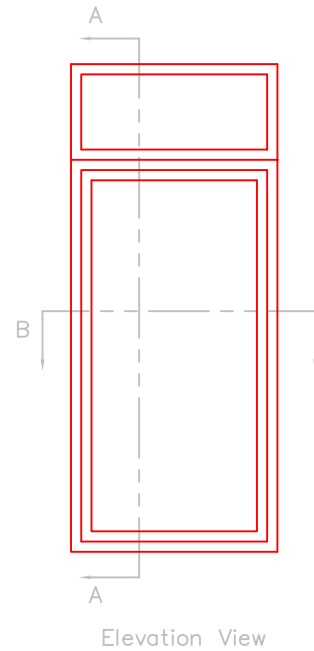
Elevation View

This drawing is proprietary and confidential and is intended for architectural design and/or specification purposes. It shall not be reproduced, copied, or disseminated for any other purpose without express written permission.

SERIES 9000 CH&S PICTURE WINDOW VERTICAL CROSS-SECTION



Section A-A



This drawing is proprietary and confidential and is intended for architectural design and/or specification purposes. It shall not be reproduced, copied, or disseminated for any other purpose without express written permission.