

Prime Window Systems

Block Frame Swing Door Installation Requirements With Pan System



Required materials:

1. Flashing products
 - 12" wide FortiFlash® Butyl self adhered flashing or pre-approved equal.
 - If Dens Glass is used then Henry Aquatac primer should be used before the SAF is applied.
 - 3M Super 77 is an acceptable alternate for Henry Aquatac primer.
2. Flashing Corners
 - Corner Flash® GS 100A corners by TLS Laboratories
3. Sealant and backer rod
 - Moistop® Sealant under flashing corners
 - Dow Corning 795 or GE s 2000 around the door frame.
 - Open cell backer rod
4. Staples and J-Roller
5. 2" (min) exterior grade screws for jambs
6. 1 5/8" exterior grade screws for installation straps.
7. Screw gun
8. Metal head flashing
9. Pan system- 2 alternates:
 - Metal Pan custom fabricated
 - Ready Sill® pan system by TLS Laboratories

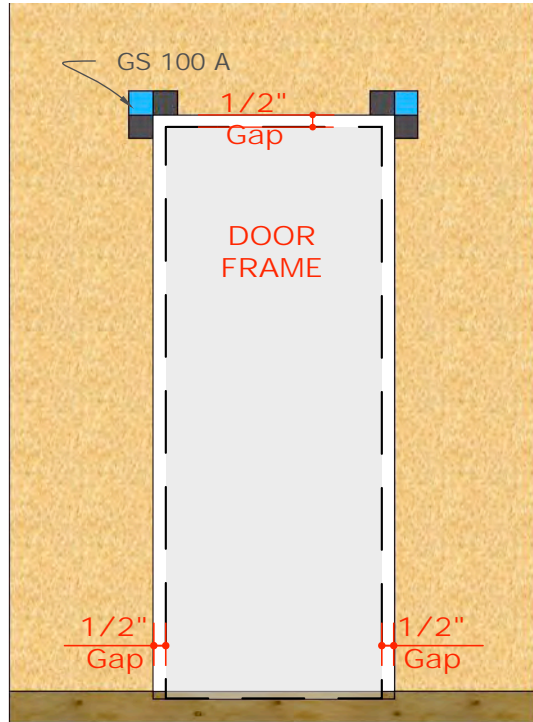
If any questions arise from these details please contact Prime Window Systems customer service at 509-248-4462

For Corner Flash® and Ready Sill® products call 800-310-7673 or visit tslabs.com



STEP 1

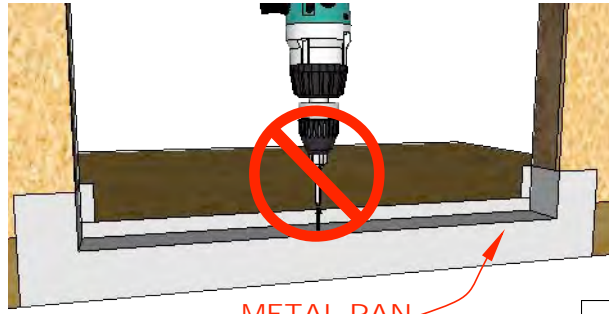
Prepare Rough Opening (RO)



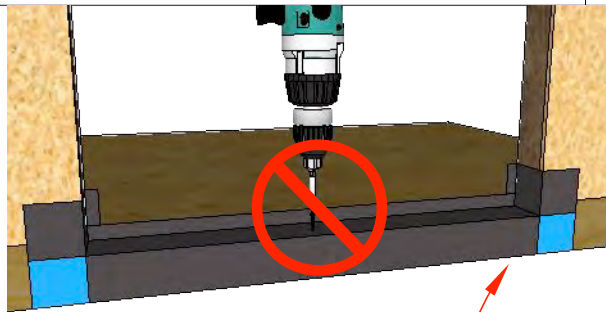
RO should be 1" greater in width and 1/2" greater in height than the net frame size of the door. This will allow for a 1/2" gap on both sides and 1/2" at the top.
Apply (2) GS 100 A pieces on the upper corners. RO should be level, square and plumb. Do not use waned lumber to create the RO.
NOTE: Recessed floor shown above for ADA.

STEP 2

Install Pan System



A



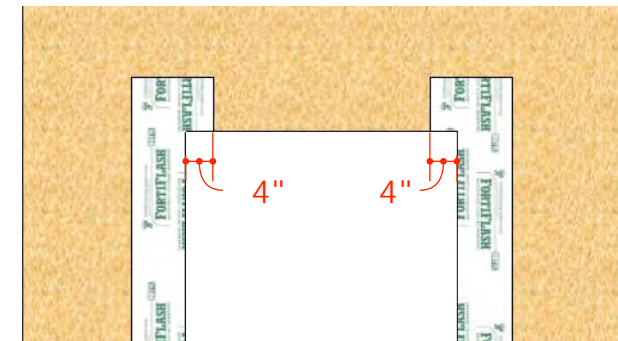
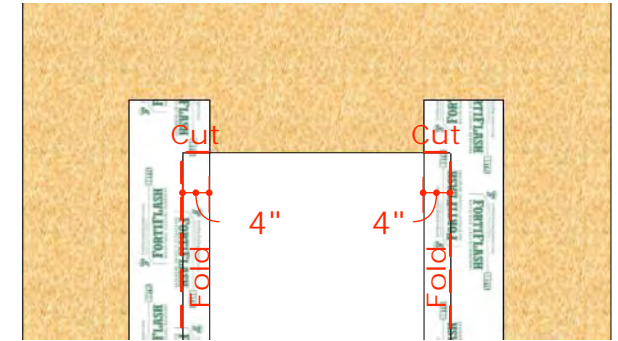
B

A) If using a metal pan ensure the inside vertical lip is positioned properly so that it will be 1/8" inside of the door frame. Do not damage the inside vertical lip of the pan. A metal pan needs to fit the RO correctly using soldered seams. Set the pan into sealant on your subfloor or concrete foundation. Do not penetrate the lower horizontal areas of the pan with fasteners.

B) If using a Ready Sill® Pan- Install the pan following the directions in the box. Position the pan correctly in the RO. Do not penetrate the lower horizontal areas of the pan with fasteners.

STEP 3

Apply Side Flashing

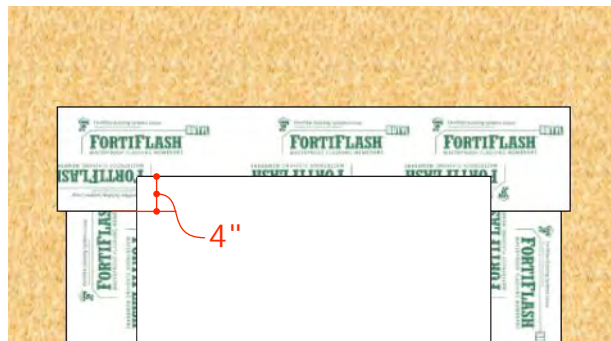
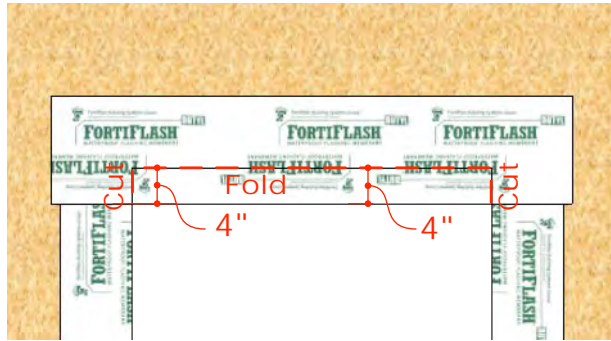


Cut the 12" SAF side flashing 8" taller than the height of the RO. Hold the SAF so that it overlaps the RO by 4" on both sides. Affix it to the vertical wall overlapping the pan at the lower corners. Use primers if Dens Glass or similar exterior gypsum wall is used.

Place 4 horizontal cuts (2 on each side) in the flashing at the corners so that the SAF may be folded back onto the side trimmers. J-Roll all material flat.

STEP 4

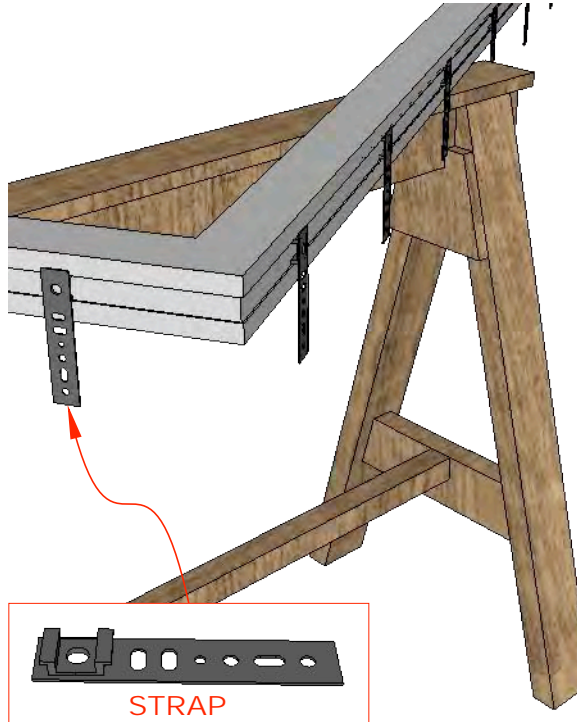
Apply Top Flashing



Cut the SAF top flashing 18" wider than the width of the RO. Hold the SAF so that it overlaps the RO by 4" across the top. Place 2 vertical cuts in the flashing at the corners so that the SAF may be folded back onto the lower side of the header. J-Roll all material flat. Apply staples at the top edge of the SAF and across the inside of the header to prevent it from falling downwards in the future. The top flashing will extend 1" beyond each side of the side flashing. Use primers if Dens Glass or similar exterior gypsum wall sheathing is used.

STEP 5

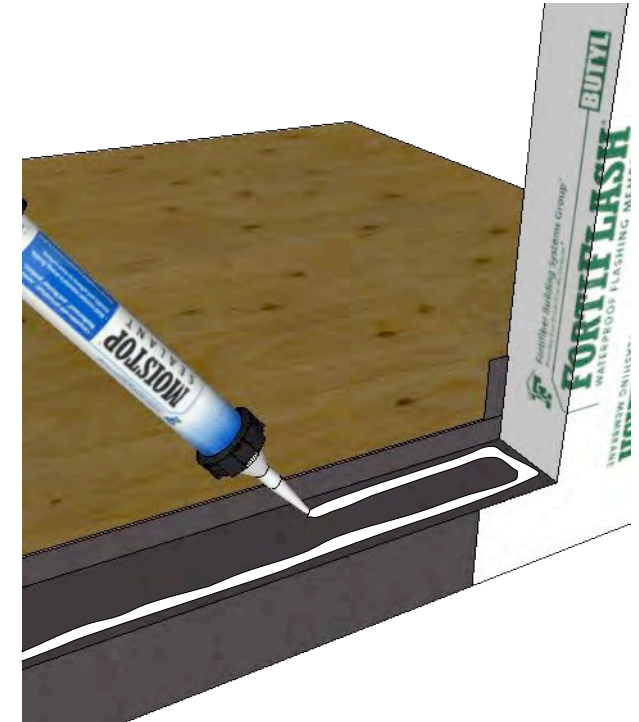
Apply Installation Straps



Install your installation straps on the sides and top of the door at 12" OC. Install straps 6" from the corners and work towards the middle.

STEP 6

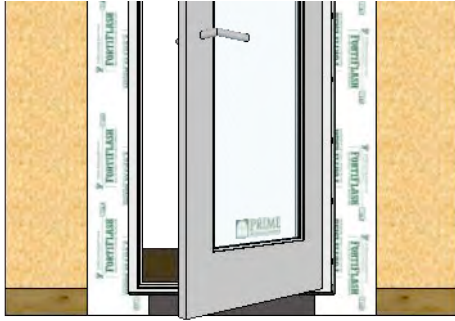
Apply Sealant in Pan



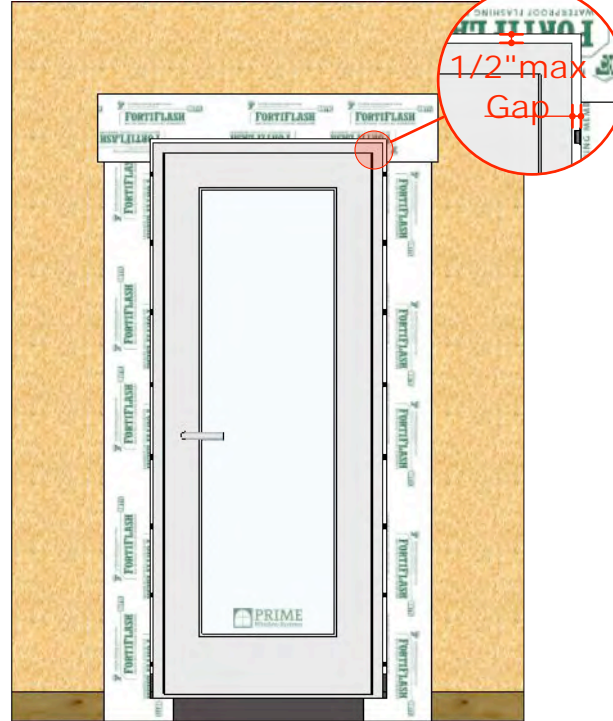
Apply a 1/2" rectangular bead of sealant around the perimeter of the pan as shown in the diagram.

STEP 7

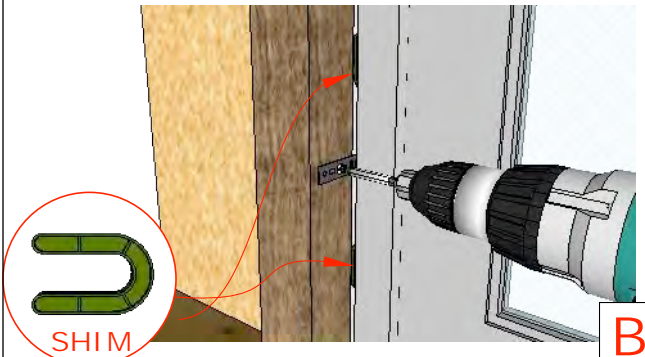
Install Door



A



B



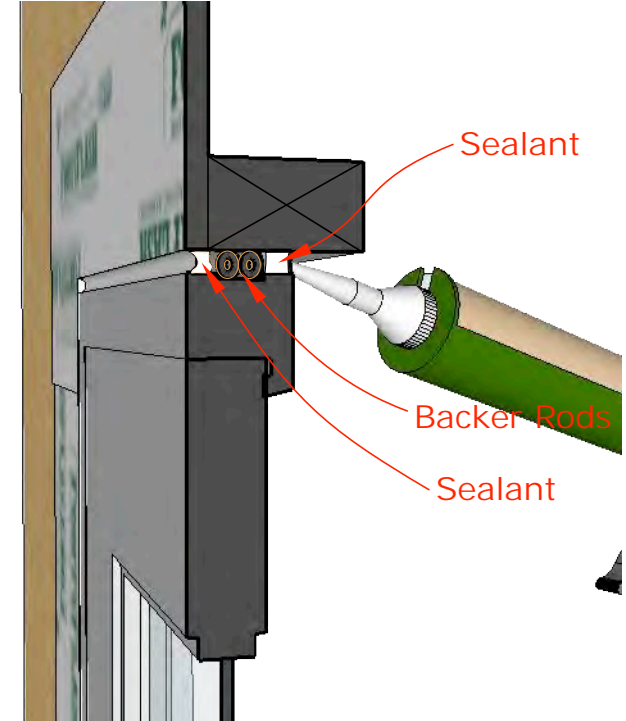
SHIM

A) Set the door in the RO on top of the sealant. Gaps between the door and the framing on both sides and the top should be 3/8"-1/2".

B) After verifying the door operates correctly and is within LEVEL, SQUARE, PLUMB AND CROSS SIGHT apply a shim between the lock stile and the jamb to prevent over compression during the remaining processes. Screw in your install straps at the 4 corners using 1 5/8" screws. Apply your shims as required or every 12" OC. Install 2" screws through your predrilled holes securing the shims in place. Rotate the shims so they are not proud of the door frame on the inside or outside. Do not allow the shims to prevent proper sealant application. See details on step 8. Screw the remaining installation straps in place. Verify level, square, plumb and cross sight. Swing the door(s) to ensure smooth operation.

STEP 8

Backer Rod and Sealant



Ensure the door and the SAF is clean and dry. Wipe with mineral spirits. Apply open cell backer rod and sealant around the outside of the door. Sealant should be a minimum of 1/4" deep and 3/8" in width. This is Critical to Quality and essential to prevent water intrusion. Tool the sealant to achieve a concave shape and ensure compression to the sides of the door and the flashing. Repeat the process on the inside of the door as seen in the drawing above.

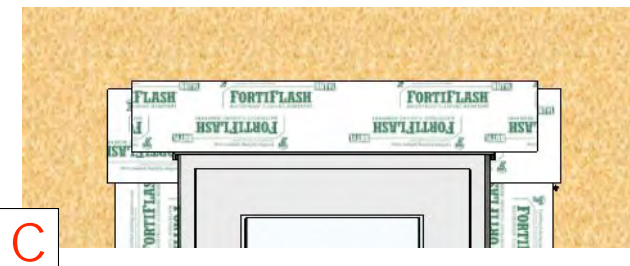
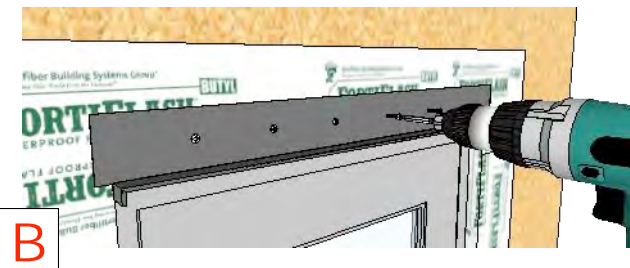
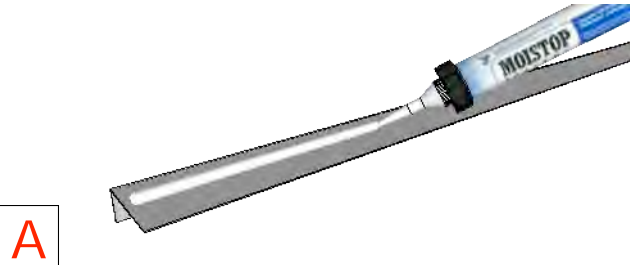
Sealant: Use Dow Corning 795 or GE Silpruf 2000 around the perimeter of the door.

STEP 9

Metal Head Flashing

SECTION DETAIL HEAD & SILL

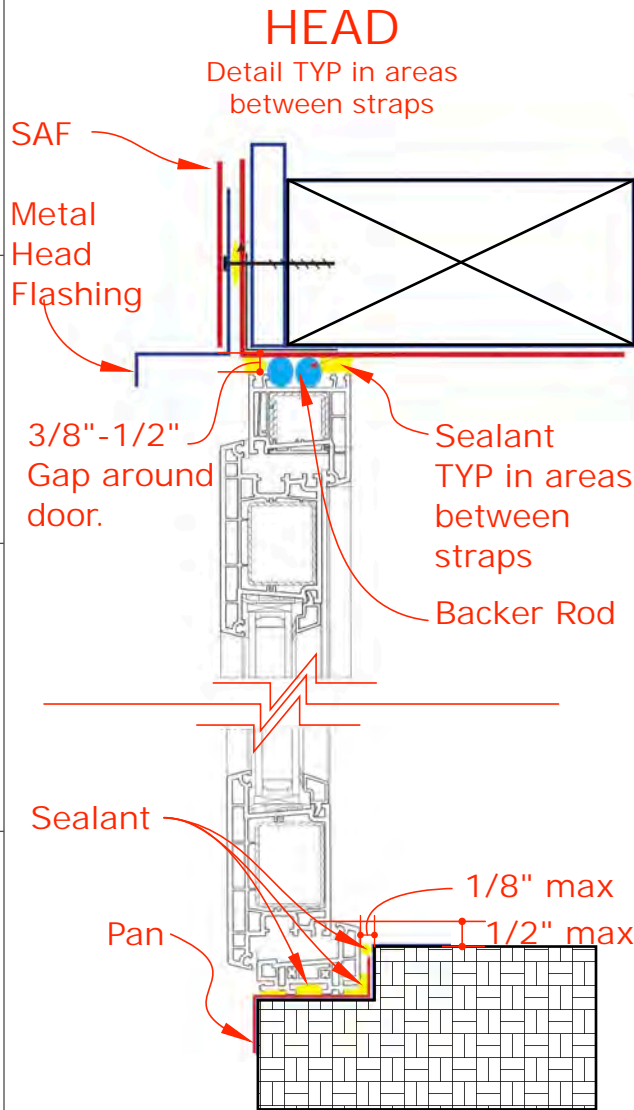
SECTION DETAIL SIDE JAMBS



A) Wet set the metal head flashing using Moistop sealant upon the SAF over the door.

B) Secure with fasteners through the wet sealant.

C) Layer a final course of SAF over the nailing flange of the head flashing.

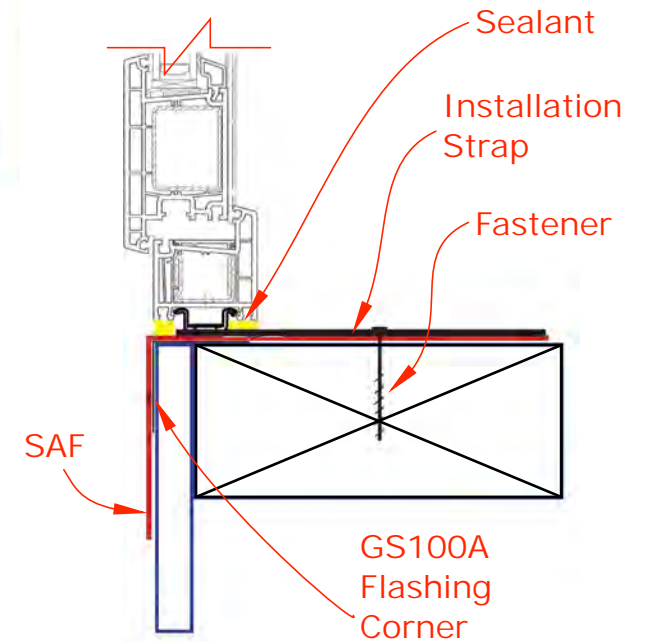


ADA Sill Strategy

Drawing not to scale

TOP VIEW

Detail TYP In areas with straps



SAF: Self Adhered Flashing Fortiflash Butyl

Sealant: Dow Corning 795 or GE 2000 Silpruf

Drawing not to scale

Door with Block Frame, method B, Recessed floor

Required materials:

- 12" SAF Butyl membrane product. (FortiFlash® Butyl or pre-approved equal).
- Pan system. Use a metal pan or a Ready Sill pan system. (Call 800-310-7673 or visit tsslabs.com for Ready Sill® products.)
- Metal head flashing.
- GS 100 A flashing corners. (Call 800-310-7673 or visit tsslabs.com for Corner Flash® products.)
- Moistop® Sealant or pre-approved equal.
- Dow Corning 795 or GE 2000 Silpruf Silicone
- J-roller
- 1 5/8" Pan head exterior grade screws. 2" exterior wood screws
- Screw Gun
- Level

Steps:

1. **Prepare RO:** RO should be 1" greater in width and 1/2" greater in height than the net frame size of the door. This will allow for a 1/2" gap on both sides and 1/2" at the top. RO should be level, square and plumb. Do not use waned lumber to create the RO. Apply (2) GS 100 A pieces on the upper corners of the RO.
2. **If using a metal pan** ensure the inside vertical lip is positioned properly so that it will be 1/8" inside of the door frame. Do not damage the inside vertical lip of the pan. A metal pan needs to fit the RO correctly using soldered seams. Set the pan into sealant on your subfloor or concrete foundation. Do not penetrate the lower horizontal areas of the pan with fasteners.
3. **If using a Ready Sill® Pan-** Install the pan following the directions in the box. Position the pan correctly in the RO and do not penetrate the lower horizontal areas of the pan with fasteners.
4. **Side flashing:** Cut the 12" SAF side flashing 8" taller than the height of the RO. Hold the SAF so that it overlaps the RO by 4" on both sides. Affix it to the vertical wall overlapping the pan at the lower corners. Use primers if Dens Glass or similar exterior gypsum wall is used. Place 4 horizontal cuts (2 on each side) in the flashing at the corners so that the SAF may be folded back onto the side trimmers. J-Roll all material flat.
5. **Top flashing:** Cut the SAF top flashing 18" wider than the width of the RO. Hold the SAF so that it overlaps the RO by 4" across the top. Place 2 vertical cuts in the flashing at the corners so that the SAF may be folded back onto the lower side of the header. Apply staples through the SAF across the inside of the header to prevent it from falling downwards in the future. J-Roll all material flat. The top flashing will extend 1" beyond each side of the side flashing. Use primers if Dens Glass or similar exterior gypsum wall is used. Secure top edge of the SAF in place with staples to prevent it from falling downwards in the future.
6. **Installation straps:** Install your installation straps on the sides and top of the door at 12" OC. Install straps 6" from the corners and work towards the middle.
7. **Apply sealant on the pan:** Apply a 1/2" rectangular bead of sealant around the perimeter of the pan as shown in the diagram.
8. **Install the door:** Set the door in the RO on top of the sealant. Check for level, square, plumb and cross sight. Swing the door to verify smooth operation. Gaps between the door and the framing on both sides and the top should be 3/8"-1/2". After verifying the door operates correctly and is within **LEVEL, SQUARE, PLUMB AND CROSS SIGHT** apply a shim between the lock stile and the jamb to prevent over compression during the remaining processes. Screw in your install straps at the 4 corners using 1 5/8" screws. Apply your shims as required or every 12" OC. Install 2" screws through your predrilled holes securing the shims in place. Screw the remaining installation straps in place. Verify level, square, plumb and cross sight. Swing the door(s) to ensure smooth operation.
9. **Apply backer rod and sealant:** First ensure the door and the SAF is clean and dry. Wipe with mineral spirits. Apply open cell backer rod and sealant around the outside of the door. Sealant should be a minimum of 1/4" deep and 3/8" in width. This is Critical to quality and preventing water intrusion. Use Dow Corning 795 or GE Silpruf 2000 around the perimeter of the door. Tool the sealant to achieve a concave shape and ensure compression to the sides of the door and the flashing. Repeat the process on the inside of the door.
10. **Install metal head flashing.** Wet set the metal head flashing using Moistop sealant upon the SAF over the door. Secure with fasteners through the wet sealant. Layer a final course of SAF over the nailing flange of the head flashing.